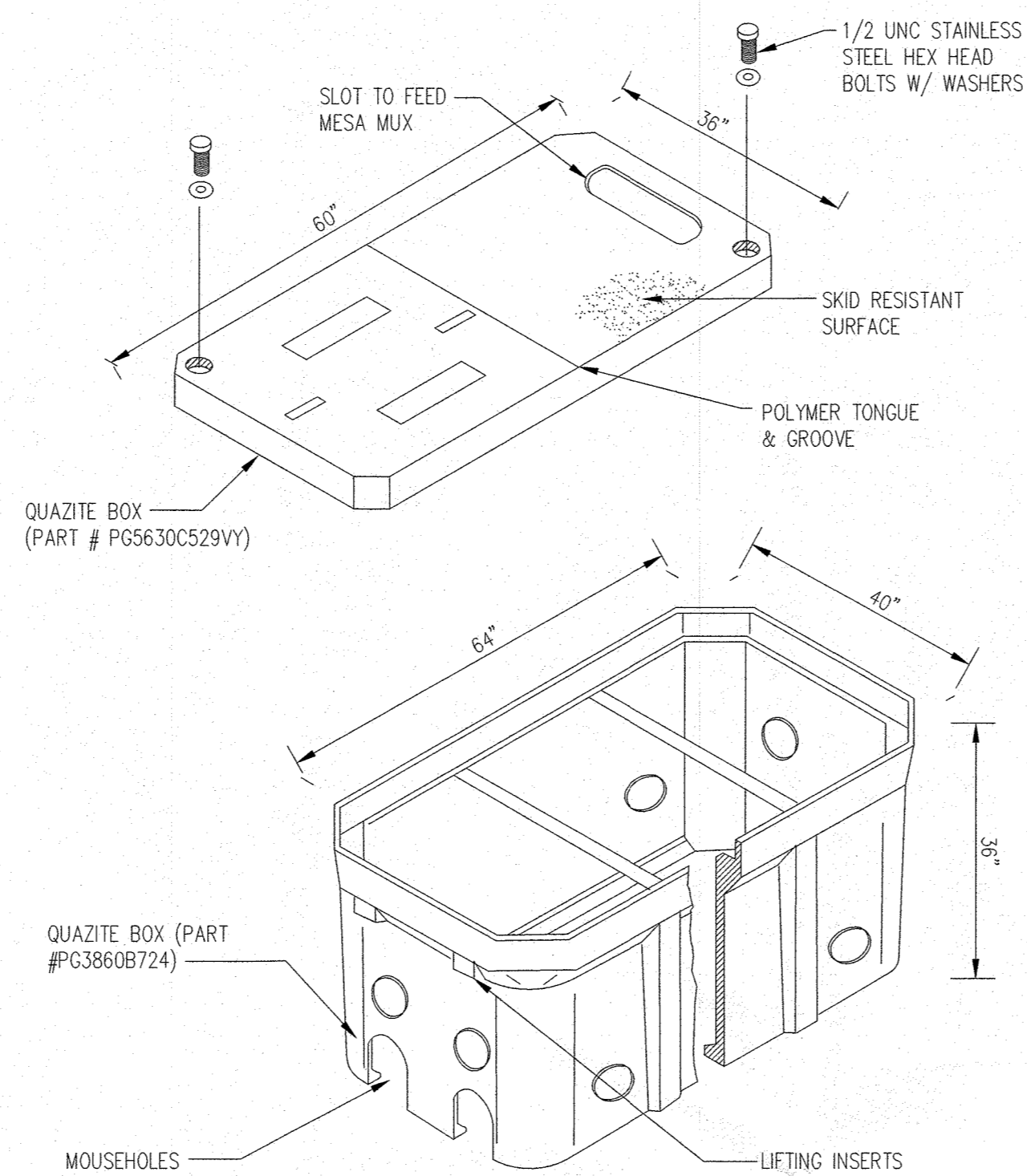
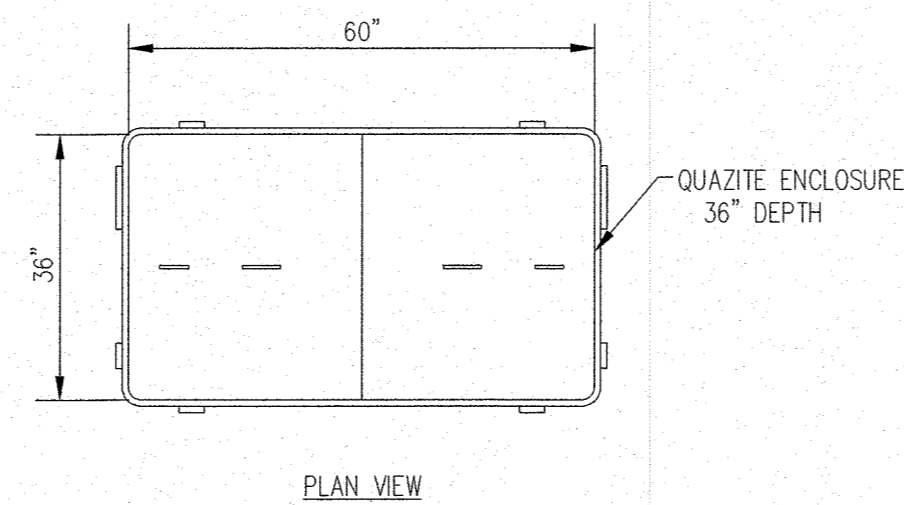
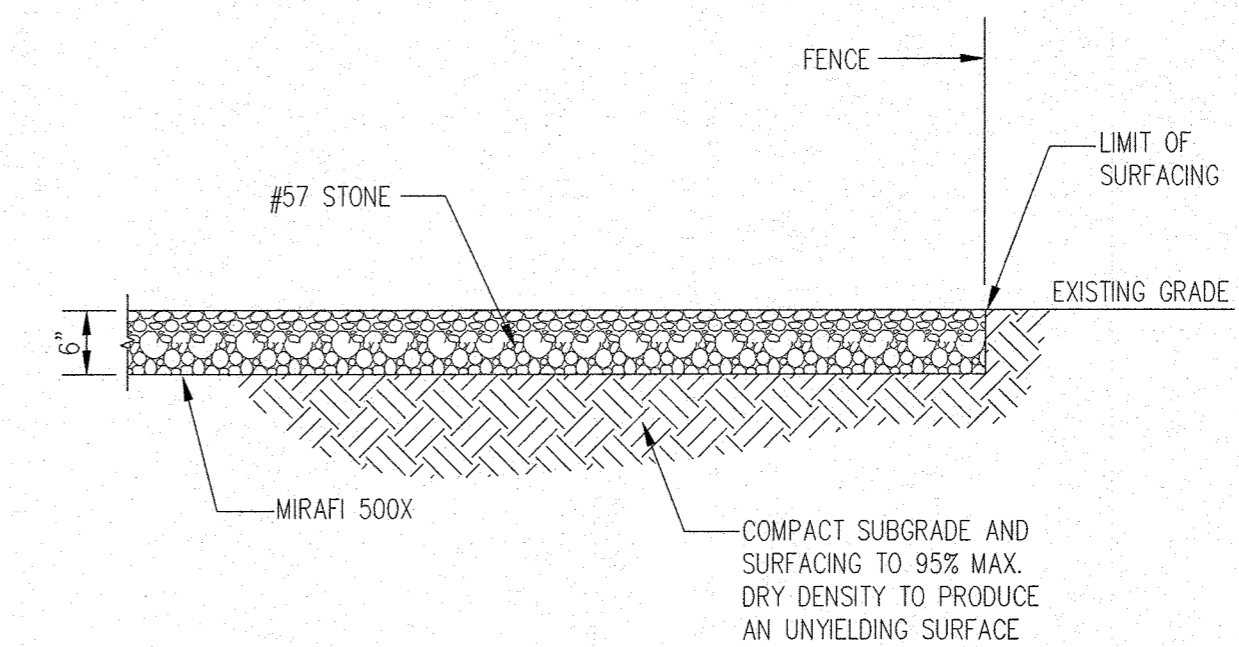


FRONT ELEVATION  
**UTILITY FRAME DETAIL** 1  
 SCALE: 3/4"=1'-0" Z-6

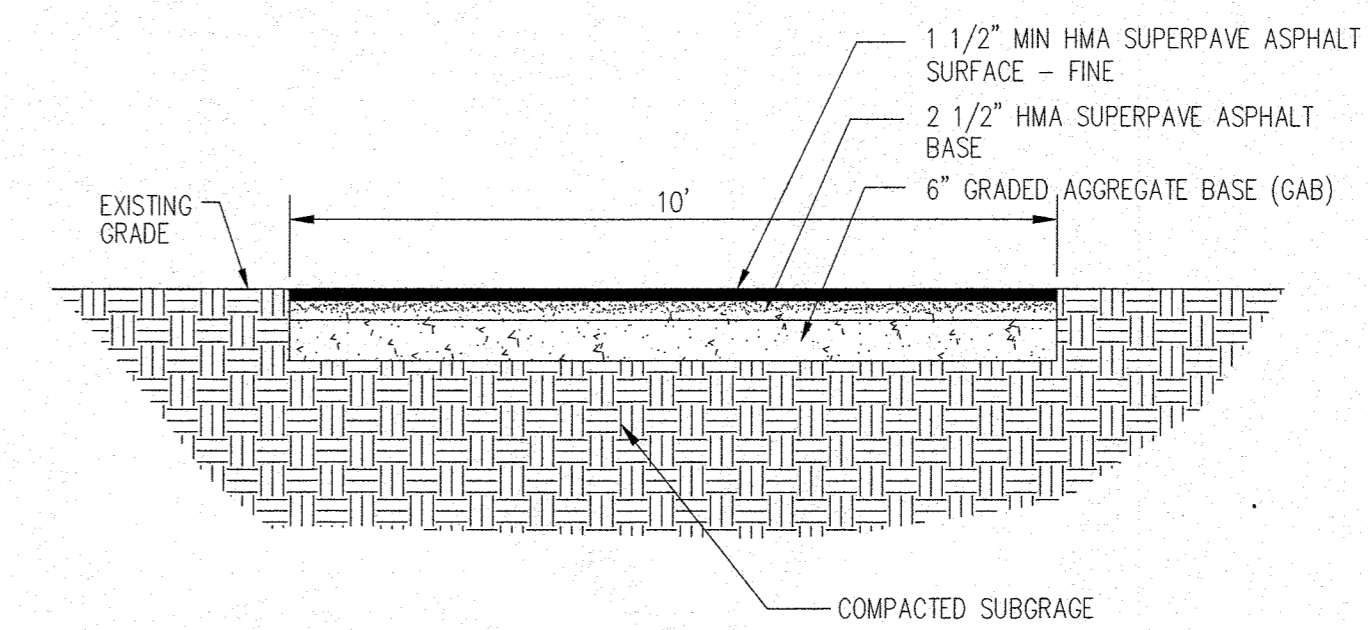


**FUTURE MESA QUAZITE BASE DETAIL** 2  
 SCALE: 1/2"=1'-0" Z-6



NOTE:  
 COMPOUND AREA SHALL BE CLEARED AND GRUBBED. REMOVE UNSUITABLE LOOSE OR SOFT SOIL, ORGANIC MATERIAL OR RUBBLE TO FIRM GRADE. FILL UNDERCUT AND COMPACT UP TO 6" BELOW FINISH GRADE. PLACE A MIRAFIX 500X SOIL STABILIZATION FABRIC ON SUBGRADE. FILL WITH 6" OF AASHTO 57 STONE TO FINISH GRADE.

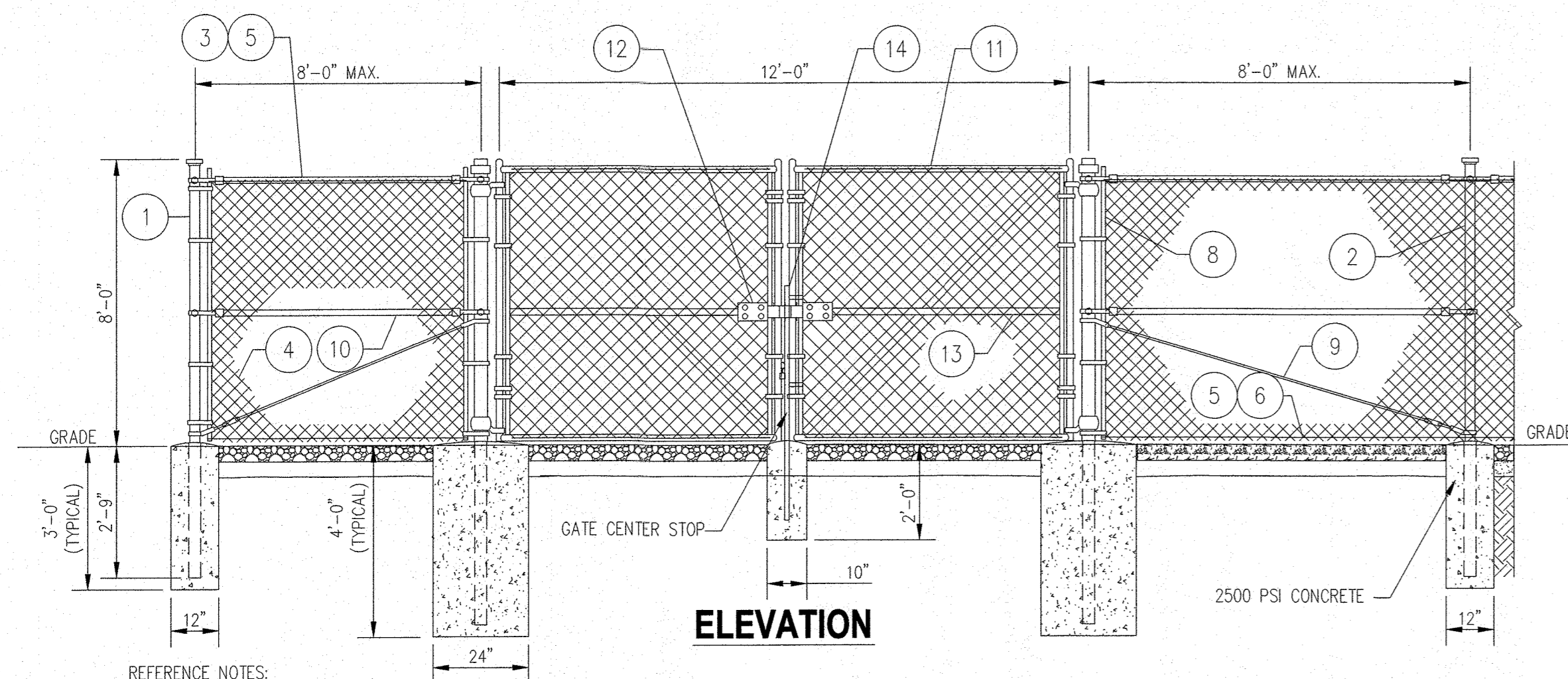
**COMPOUND SURFACING DETAIL** 3  
 SCALE: 1"=1'-0" Z-6



ASPHALT DRIVEWAY NOTES:

1. THE ACCESS DRIVEWAY AREA SHALL BE CLEARED AND GRUBBED, PROOF ROLLED AND FILLED WITH STRUCTURAL FILL AS NEEDED IN ACCORDANCE WITH THE THE SITE PREPARATION SECTION OF THE GEOTECHNICAL REPORT.
2. THE SUBGRADE SHALL BE TREATED WITH AN APPROVED HERBICIDE PRIOR TO PLACING THE BASE COURSE.
3. THE TOP COARSE AND BASE COURSE THICKNESS SHALL BE THE COMPACTED THICKNESS.
4. THE ROAD SURFACE SHALL BE SLOPED A MINIMUM OF 1.5%/FT OR HAVE A CROWN IN THE MIDDLE.

**ASPHALT DRIVEWAY DETAIL** 4  
 SCALE: N.T.S. Z-6



**ELEVATION**

REFERENCE NOTES:

- |   |  |
|---|--|
| 1 CORNER, END OR PULL POST: 3" NOMINAL SCHEDULE 40 PIPE. GATE POSTS: 4" NOMINAL SCHEDULE 40 PIPE.   | 8 STRETCHER BAR.   |
| 2 LINE POST: 2" SCHEDULE 40 PIPE. POSTS SHALL BE EQUALLY SPACED AT MAXIMUM 8'-0" O.C.   | 9 3/8" DIAGONAL ROD WITH GALVANIZED STEEL TURNBUCKLE OR DIAGONAL THREADED ROD. |
| 3 TOP RAIL & BRACE RAIL: 1 1/2" PIPE, PER ASTM-F1083.   | 10 FENCE CORNER POST BRACE: 1 5/8" DIA. EACH CORNER EACH WAY.                  |
| 4 FABRIC: 9 GA CORE WIRE SIZE 2" MESH, CONFORMING TO ASTM-A392.   | 11 GATE FRAME: 1 1/2" PIPE, PER ASTM-F1083.                                    |
| 5 TIE WIRE: MINIMUM 11 GA GALVANIZED STEEL AT POSTS AND RAILS A SINGLE WRAP OF FABRIC TIE AND AT TENSION WIRE BY HOG RINGS SPACED MAX. 24" INTERVALS. | 12 STYME MULTI-LOCKING DEVICE  |
| 6 TENSION WIRE: 9 GA. GALVANIZED STEEL.   | 13 GATE FRAME BRACE: 1 5/8" DIAMETER.  |
| 7 GATE POST 4" NOMINAL SCHEDULE 40 PIPE. WITH 24" DIA. CONC. PIER, TYP.   | 14 GATE CENTER STOP  |

GENERAL NOTES:

1. INSTALL FENCING PER ASTM F-567 PIPE POSTS PER ASTM-F1083.
2. INSTALL SWING GATES PER ASTM F- 900
3. POST & GATE PIPE SIZES ARE INDUSTRY STANDARDS. ALL PIPE TO BE 1 1/2" GALV. (HOT DIP, ASTM A120 GRADE "A" STEEL). ALL GATE FRAMES SHALL BE WELDED.
4. ALL OPEN POSTS SHALL HAVE END-CAPS.
5. ALL WELDING SHALL BE COATED WITH (3) COATS OF COLD GALV. (OR EQUAL).
6. PROVIDE ALL HARDWARE TO SECURE GATES IN OPEN AND CLOSED POSITION.

**GALVANIZED CHAIN LINK FENCE AND GATE DETAIL** 5  
 SCALE: N.T.S. Z-6

SUBMITTALS		
DATE	DESCRIPTION	REV.
11-30-22	ZONING REVIEW	
01-09-23	MILESTONE COMMENTS	
01-31-23	MILESTONE COMMENTS	
03-03-23	COUNTY COMMENTS	



PROJECT NO: 1050.364  
 DESIGNER: M.A.  
 ENGINEER: M.M.

SCALE:  
 SCALE AS NOTED ON DRAWING

**GRACE COMMUNITY CHURCH SITE**  
 8200 OLD COLUMBIA RD.  
 FULTON, MD 20759

TITLE:

**SITE DETAILS**

SHEET NUMBER:  
**Z-6**