

SUBMITTALS

DATE	DESCRIPTION	REV.
11-30-22	ZONING REVIEW	
01-09-23	MILESTONE COMMENTS	
01-31-23	MILESTONE COMMENTS	
03-03-23	COUNTY COMMENTS	

SEAL:



Professional Certification. I hereby certify that these documents were prepared or approved by me, and that I am a duly licensed professional engineer under the laws of the State of Maryland, License No. 12913, Expiration Date: 06/30/2024



PROJECT NO: 1050.364
 DESIGNER: M.A.
 ENGINEER: M.M.

SCALE:
 SCALE AS NOTED ON DRAWING

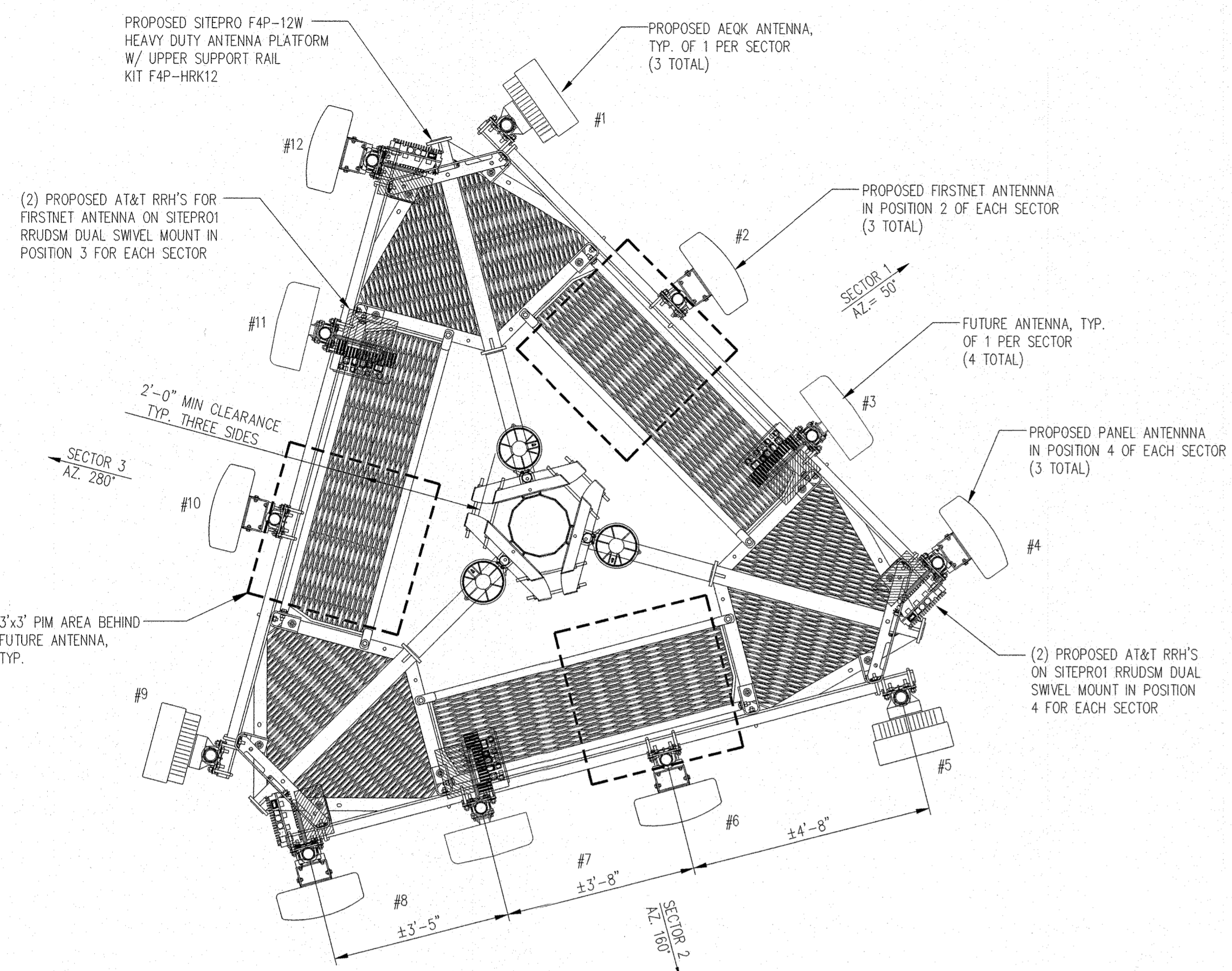
**GRACE COMMUNITY
 CHURCH SITE
 8200 OLD COLUMBIA RD.
 FULTON, MD 20759**

TITLE:

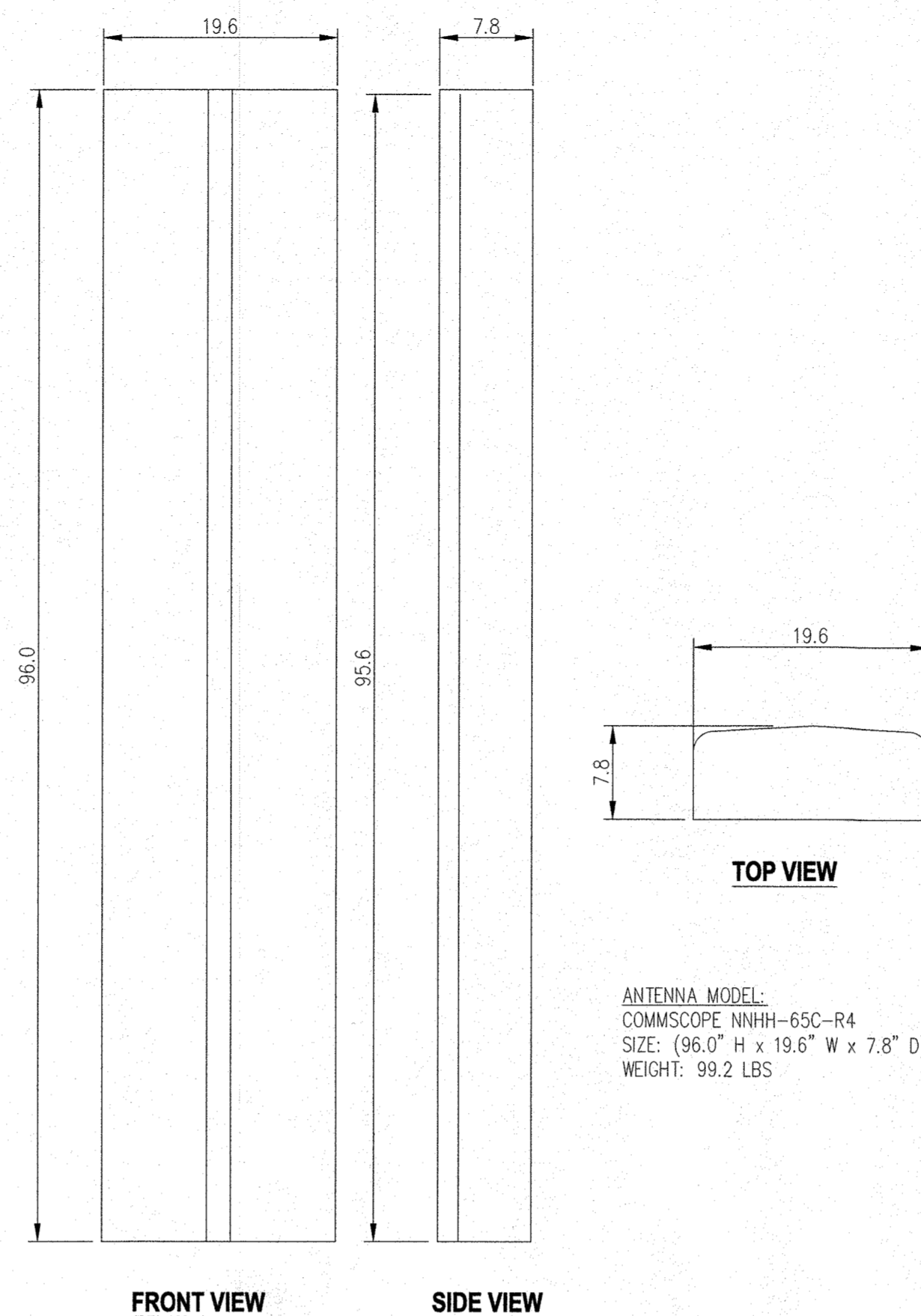
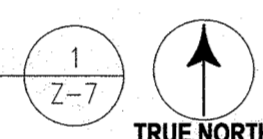
**AT&T
 ANTENNA LAYOUT,
 SECTION, DETAILS
 AND SCHEDULE**

SHEET NUMBER:

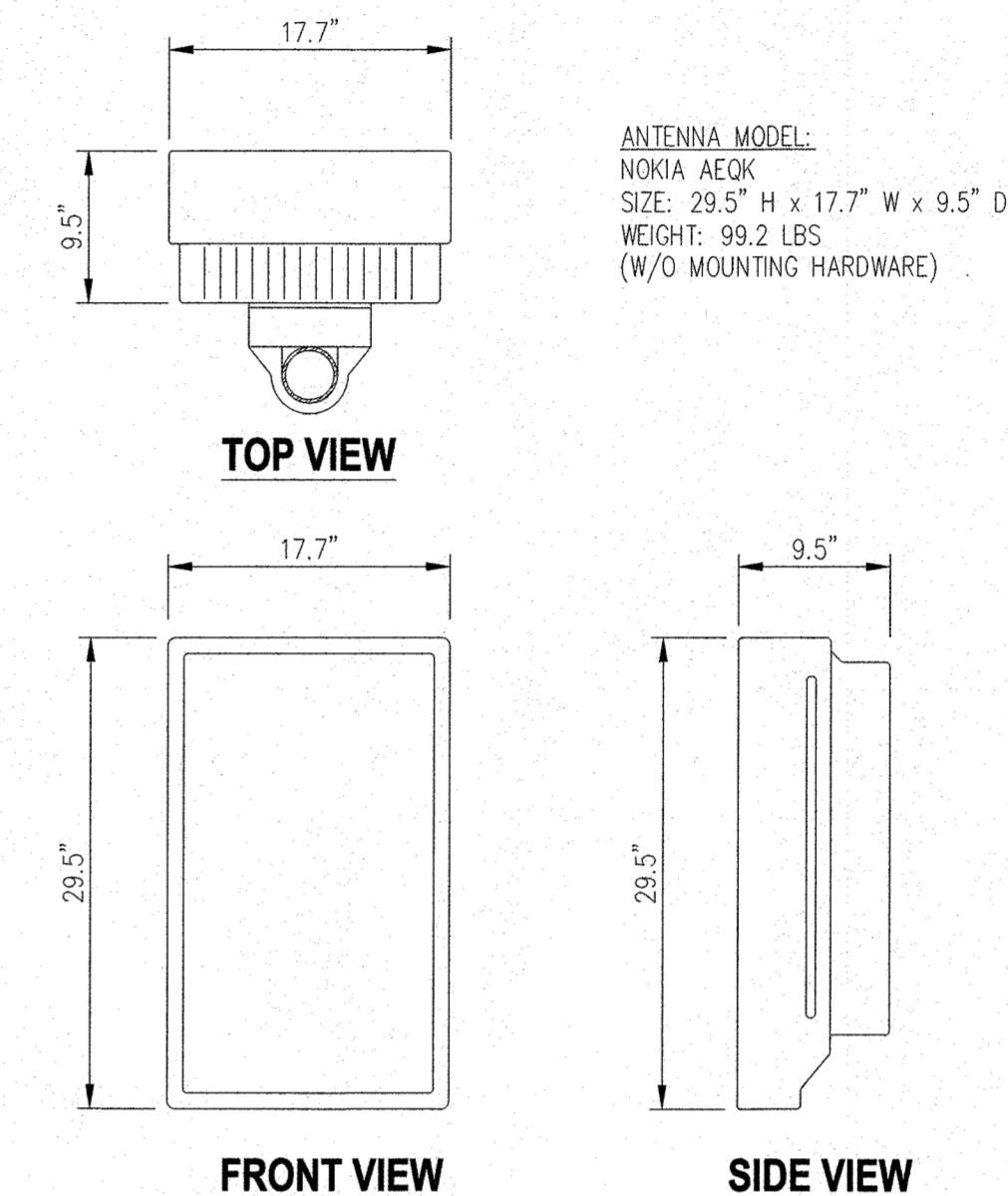
Z-7



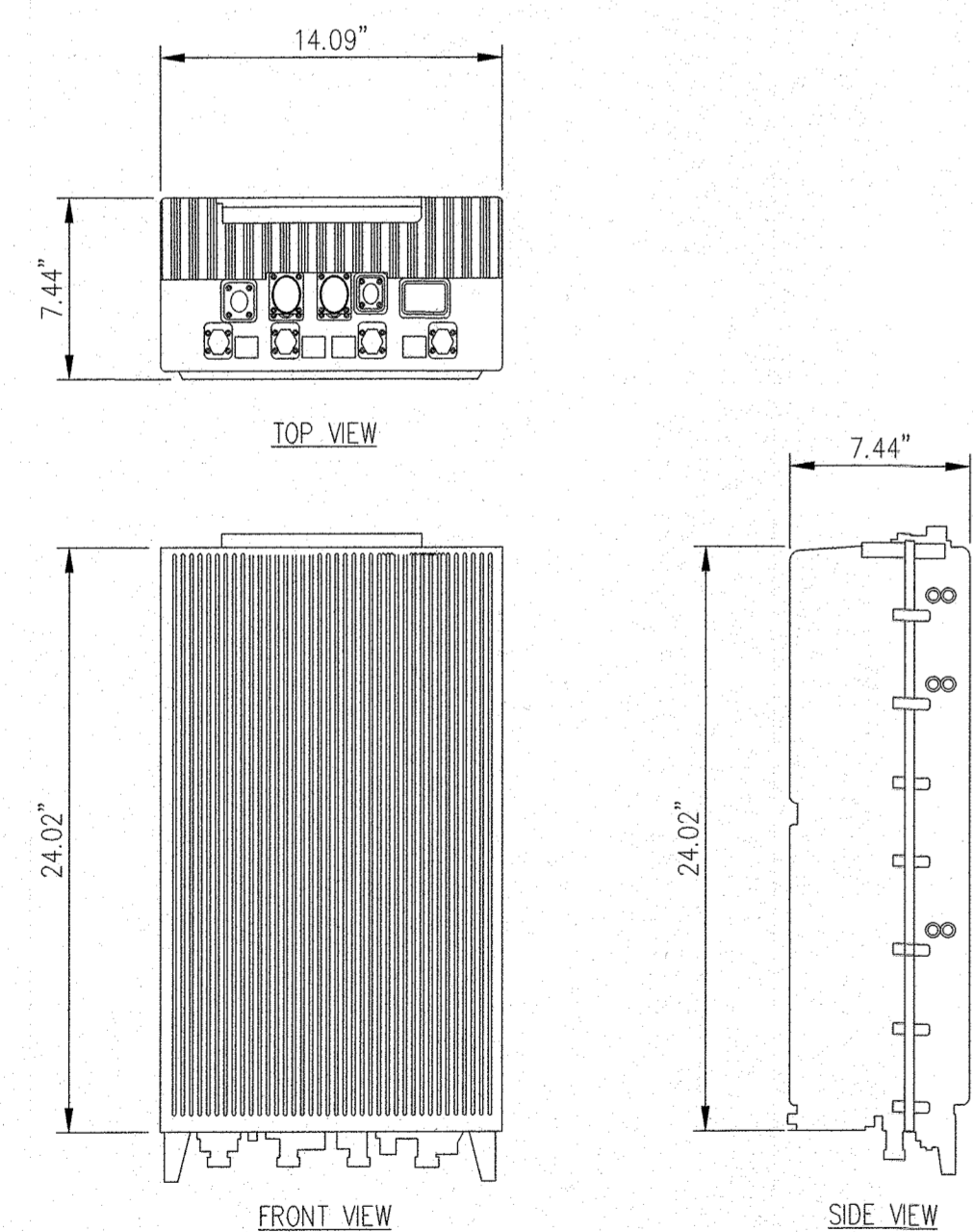
ANTENNA LAYOUT PLAN
 SCALE: 1/2"=1'-0"



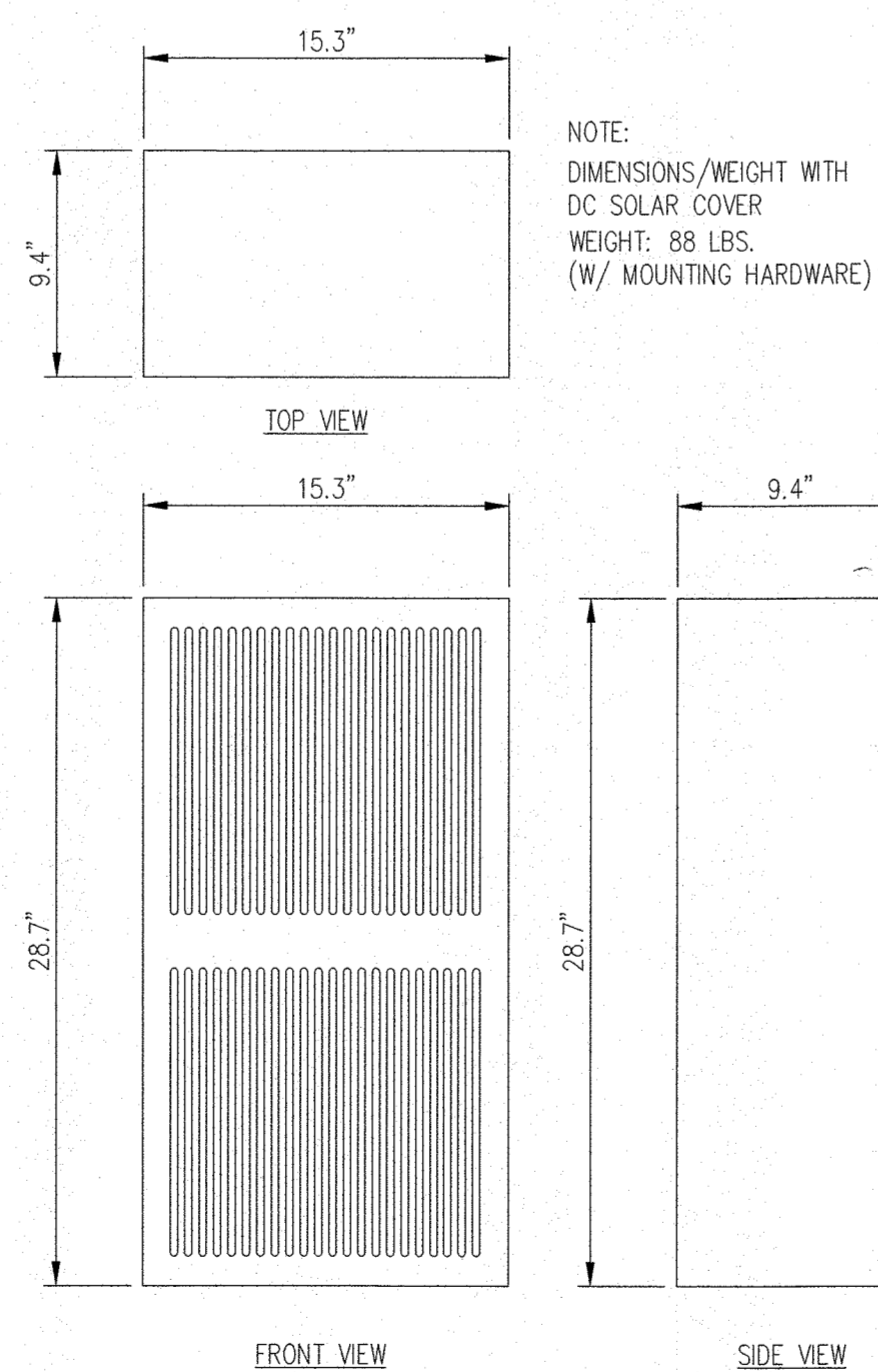
COMMSCOPE NNHH-65C-R4 ANTENNA DETAIL
 SCALE: 1"=1'-0"



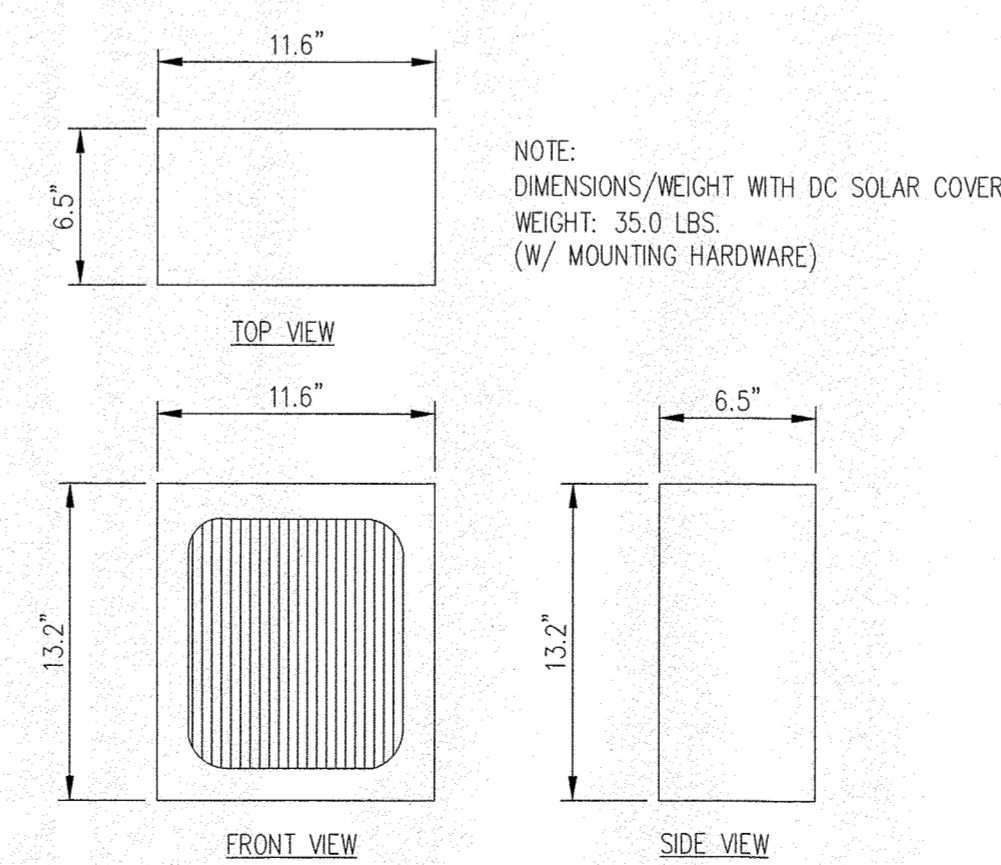
NOKIA AEQK ANTENNA
 SCALE: 1"=1'-0"



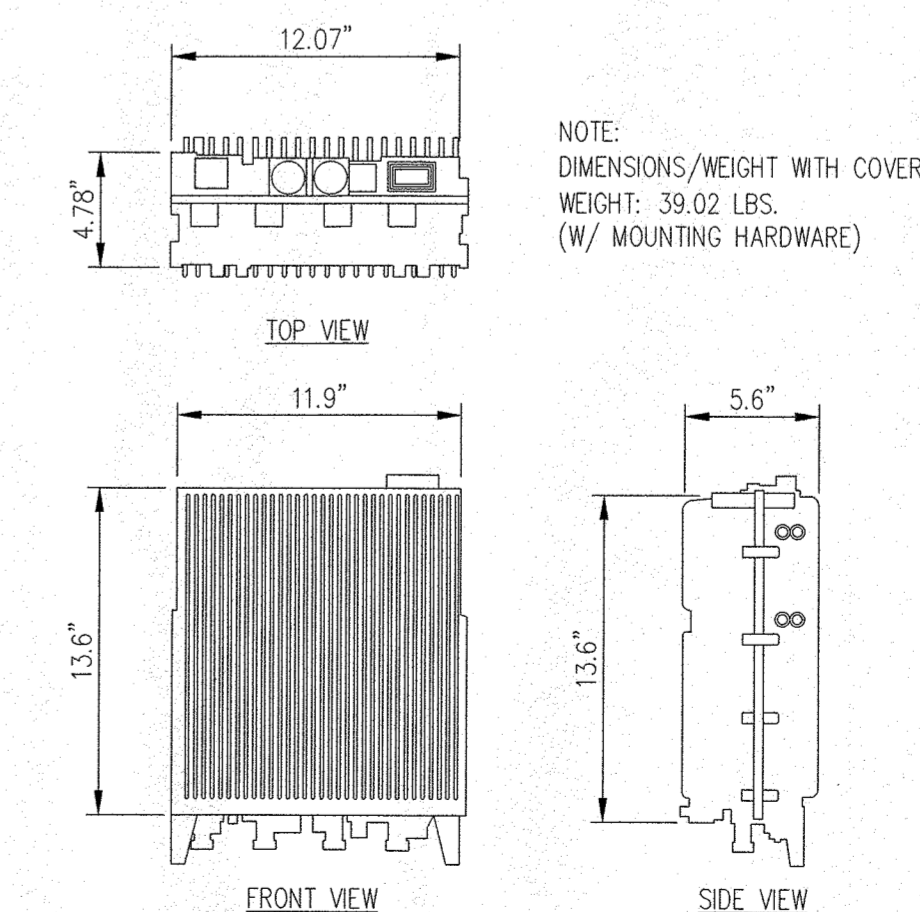
**NOKIA AIRSCALE TRIBAND RRH
 4T4R B12/14/B29 370W AHLBBA**
 SCALE: 1-1/2"=1'-0"



**NOKIA AIRSCALE DUAL RRH
 4T4R B25/66 320W AHFIB**
 SCALE: 1-1/2"=1'-0"



NOKIA AIRSCALE RRH 4T4R B5 160W AHCA
 SCALE: 1-1/2"=1'-0"



AIRSCALE RRH 4T4R B30 100W AHNA
 SCALE: 1-1/2"=1'-0"