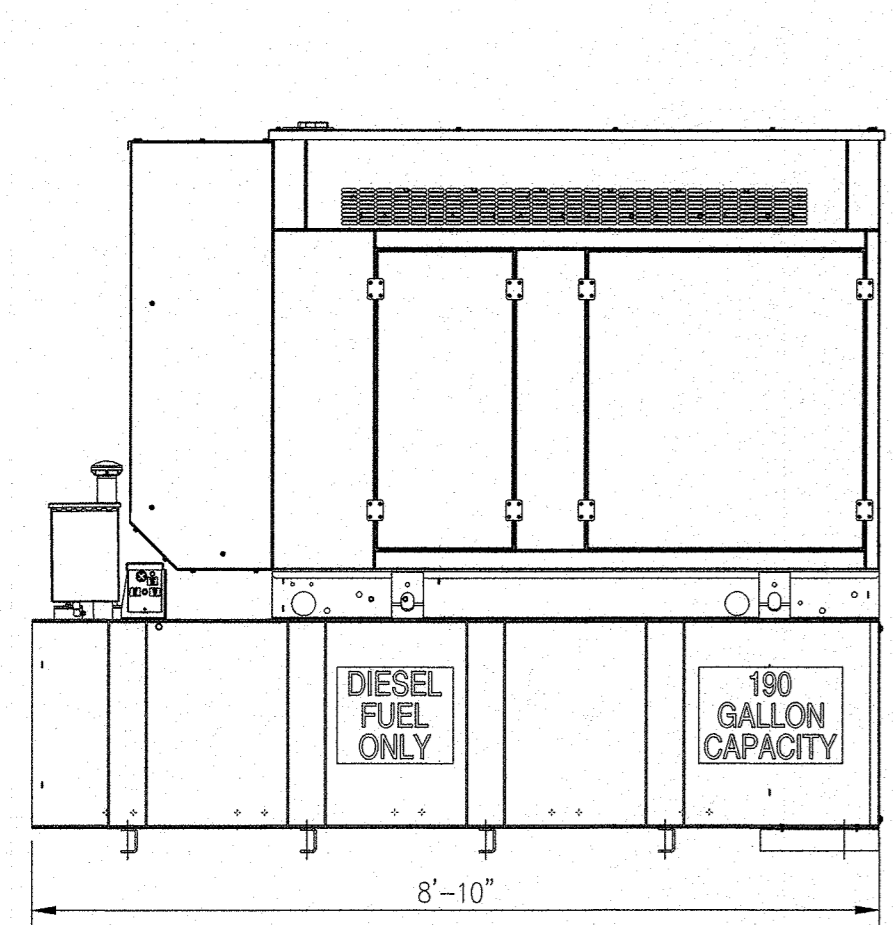
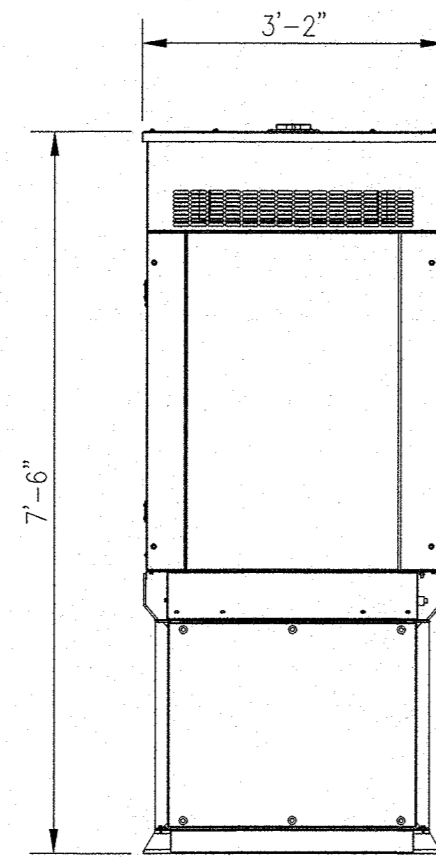


SPECIFICATIONS:
 MODEL # SD030
 DIMENSIONS: 94.8"Wx91"Hx38"D
 APPROX. WEIGHT: 3,106 LBS.
 NEQ: #20230

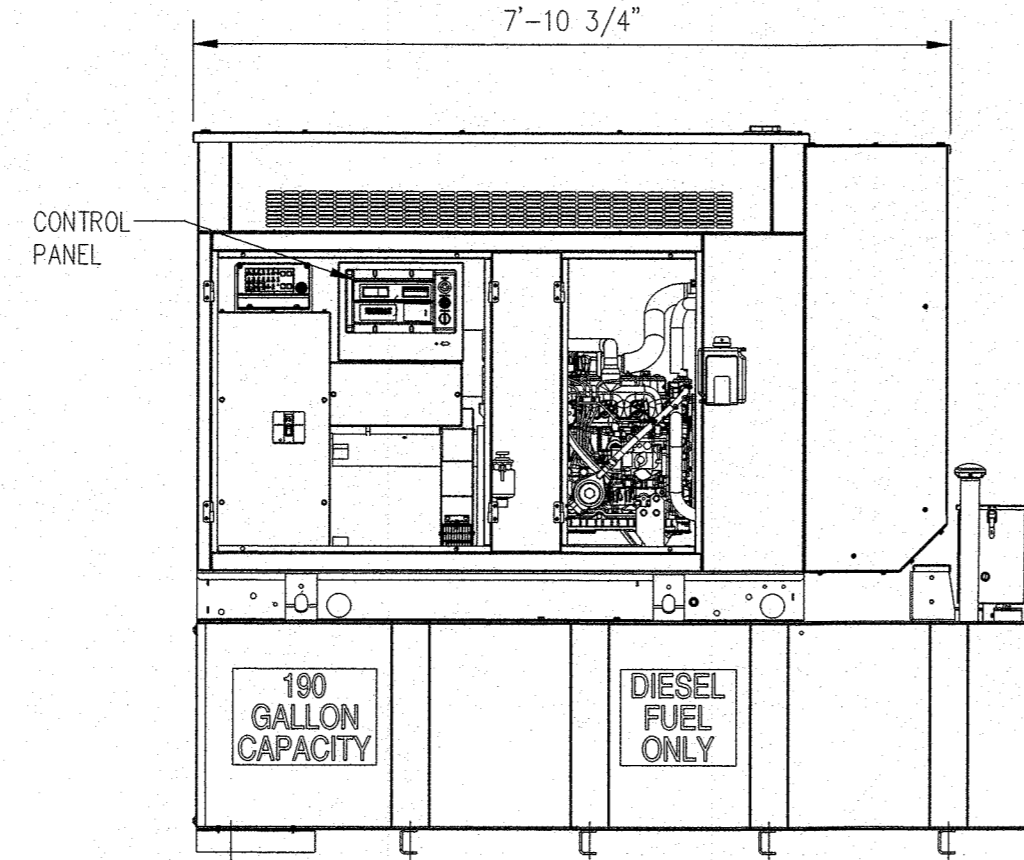
TOP VIEW



LEFT SIDE VIEW



REAR VIEW



RIGHT-SIDE VIEW
 (SHOWN WITH DOORS REMOVED)

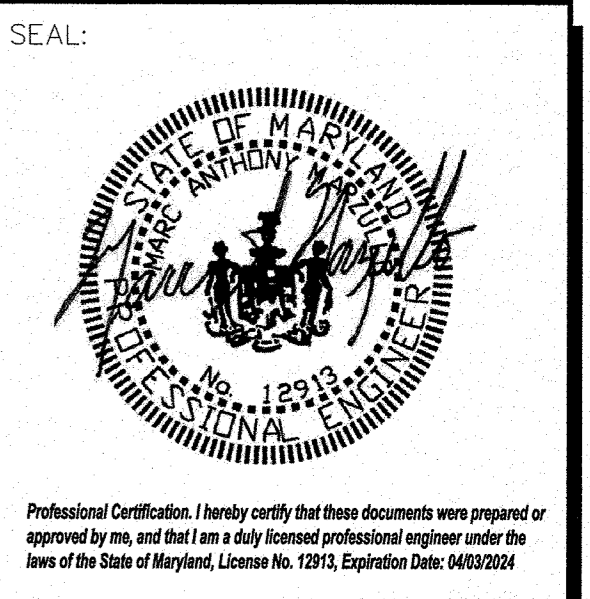
GENERAC 30kW AC DIESEL GENERATOR DETAIL

SCALE: 1/2" = 1'-0"

1
Z-9

entrex
 communication services, inc.
 6100 Executive Blvd., Suite 430
 Rockville, MD 20852
 Phone: (202)408-0960

SUBMITTALS		
DATE	DESCRIPTION	REV.
11-30-22	ZONING REVIEW	
01-09-23	MILESTONE COMMENTS	
01-31-23	MILESTONE COMMENTS	
03-03-23	COUNTY COMMENTS	



PROJECT NO: 1050.364
 DESIGNER: M.A.
 ENGINEER: M.M.

SCALE:
 SCALE AS NOTED ON DRAWING

**GRACE COMMUNITY
 CHURCH SITE
 8200 OLD COLUMBIA RD.
 FULTON, MD 20759**

TITLE:
**AT&T GENERATOR
 DETAILS**

SHEET NUMBER:
Z-9